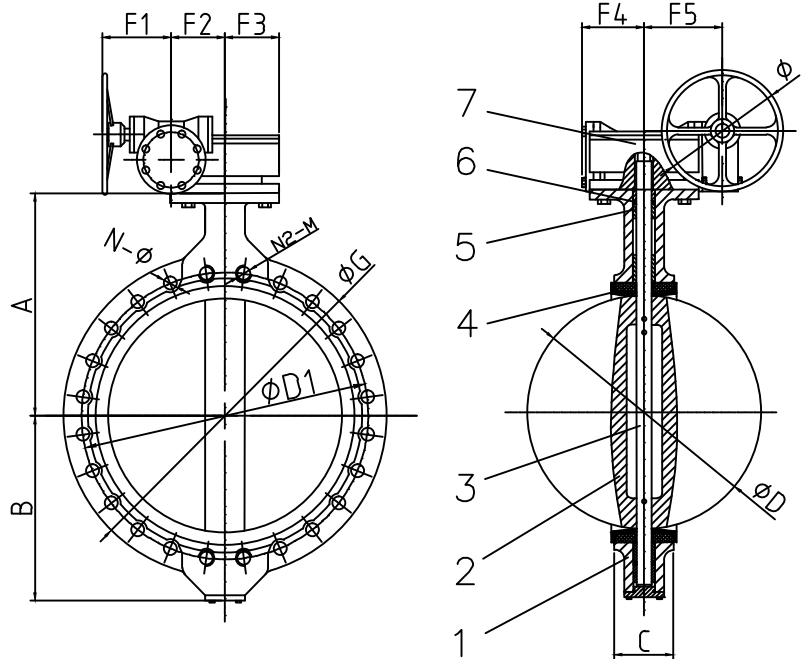


The list about dimension for Wafer type butterfly valve

Technical specification

Design Standard	GB12238-89, API609
Face to Face	GB12221, API609 MSS-67-1995, ANSIB16.1
Flange Standard	ANSI 125/150 DIN2501 PN10/PN16
Connection Manner	Wafer Connection
Inspection and Test	GB13927, API598
Nominal Pressure	1.0Mpa, 1.6Mpa, 150Lb
Model of Driving	Hand, electrically-driven, air-operated and so on model of operation



Item	Parts Name	Material	Standard
1	Body	GG25	A126B
		GGG40	A536
2	Disc	GGG40	A536
		CF8	A351
3	Stem	CF8M	A351
		SS416	A276
		SS431	A276
		SS304	A276
4	Seat	EPDM	ASTM D20004
		NBR	BK320
		VITON	B14E014
			E034
5	Bushing	PTFE	ASTMB438
		C954	B148
6	O-Ring	EPDM	ASTM
		NBR	D20004
		VITON	
7	Gear Box	Assembling	A536 (Gear)

Dimension of Body Construction

SIZE	A	B	C	D	d0	IS05211	L	G	phi K	phi E	n-phi d	F1	F2	F3	F4	F5	phi	H	J	Weight(Kg) G.0
24" DN600	562	459	152	592.5	50.65	F16	70	84.0	276	165	4-phi 22	174	130	14.4	14.2	198	300	14.6	16	
28" DN700	624	520	163	695	63.35	F25	100	895	300	254	8-phi 18	165	162	189	183	244	300	157	18x2	
30" DN750	660	539	167	744.4	63.35	F25	110	984	300	254	8-phi 18	165	162	189	183	244	300	157	18x2	
32" DN800	672	591	188	794.7	63.35	F25	110	1015	300	254	8-phi 18	165	162	189	183	244	300	157	18x2	
36" DN900	720	656	203	865	75	F25	118	1115	300	254	8-phi 18	215	196	220	215	270	300	235	20x2	
40" DN1000	800	721	216	965	85	F25	142	1230	300	254	8-phi 18	215	196	220	215	270	300	235	20x2	
48" DN1200	941	864	276	1160.6	105	F30	154	1511	350	298	8-phi 22	215	295	214	310	458	300	310	28x2	

Dimension of Connection

24" DN600	725	16-30	4-M27	770	16-36	4-M33	749.3	16-35.1	4-1.1/4
28" DN700	840	20-30	4-M27	840	20-36	4-M33	863.6	24-35.1	4-1.1/4
30" DN750	900	20-33	4-M30	900	20-36	4-M33	914.4	24-35.1	4-1.1/4
32" DN800	950	20-33	4-M30	950	20-39	4-M36	977.9	24-41.1	4-1.1/2
36" DN900	1050	24-33	4-M30	1050	24-39	4-M36	1085.8	28-41.1	4-1.1/2
40" DN1000	1160	24-36	4-M33	1170	24-42	4-M39	1200.2	32-41.1	4-1.1/2
48" DN1200	1380	28-39	4-M36	1390	28-48	4-M45	1422.4	40-41.1	4-1.1/2
SIZE	phi D1	N-phi	N2-M	phi D1	N-phi	N2-M	phi D1	N-phi	N2-M(UNC)
	DIN PN10			DIN PN16			ANSI150		